

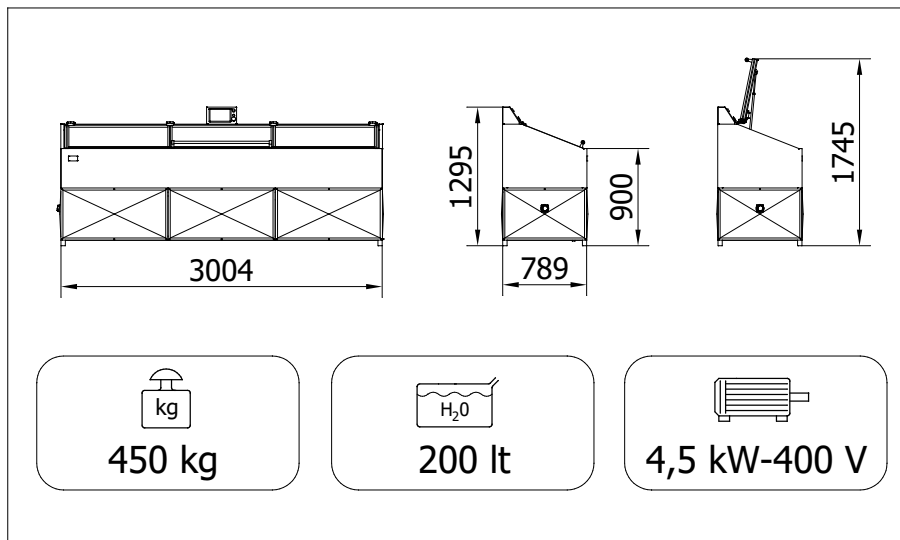


## H<sub>2</sub>G MEANS:

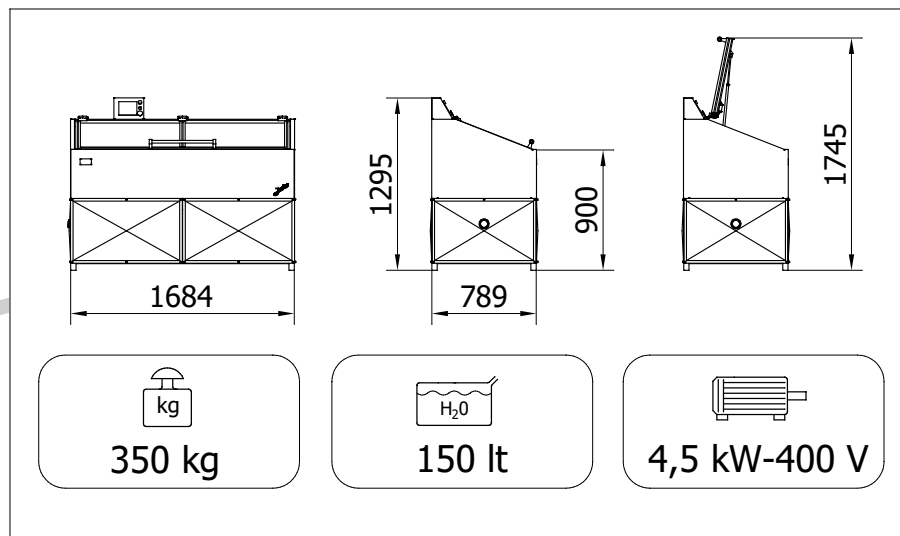
- SMART WASHING PROGRAMS
- DETECTION OF THE NEEDLEBED THANKS TO THE DIGITAL ULTRASONIC SENSOR
- FULL AUTOMATIC
- ELECTRONICAL CONTROL OF THE NOZZLE
- SPECIFIC PROTECTION FOR STOLL NEEDLES
- AUTOMATIC DRYING AFTER WASHING
- SELF-WASHING PROGRAM TO KEEP ALWAYS THE WASHING CHAMBER CLEAN
- DIGITAL LEVEL OF THE DEPOSIT
- ALARMS FOR CLOGGED FILTER AND LIQUID CHANGE
- TEMPERATURE CONTROL OF THE WASHING FLUID
- DETERGENT DESIGNED FOR NEEDLEBEDS, NOT HARMFUL
- TECHNICAL SUPPORT ALWAYS AVAILABLE



### TECHNICAL DATA OF THE MACHINERIES



### H<sub>2</sub>G 4.0 - 3.0



### H<sub>2</sub>G Junior



www.H<sub>2</sub>Gsrl.com

Via Giovanni Pascoli, 8  
41016 Rovereto s/S  
Modena - Italia

MADE IN ITALY

+39 351 8229127  
+39 059 671823  
info@gali8.com



www.H<sub>2</sub>Gsrl.com

Needlebed Washing Machine

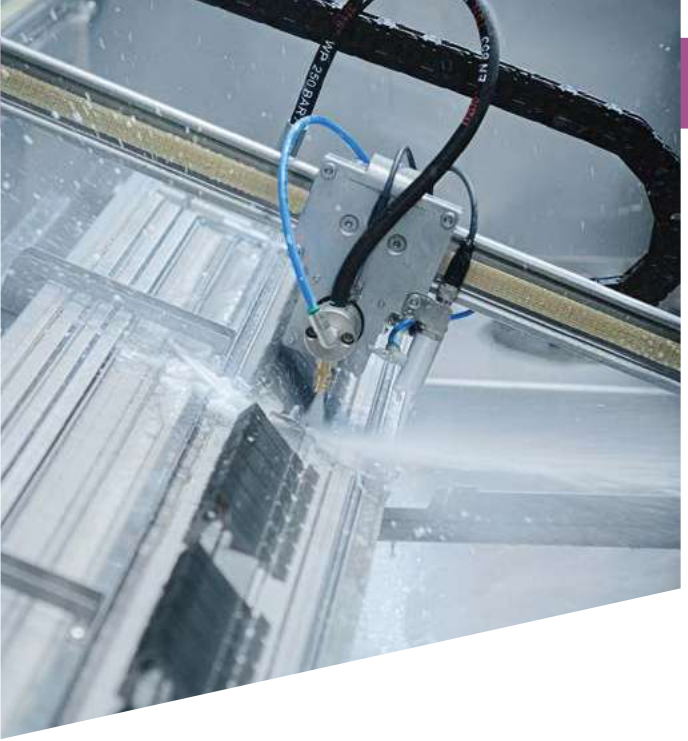
*You knit, we take care!*



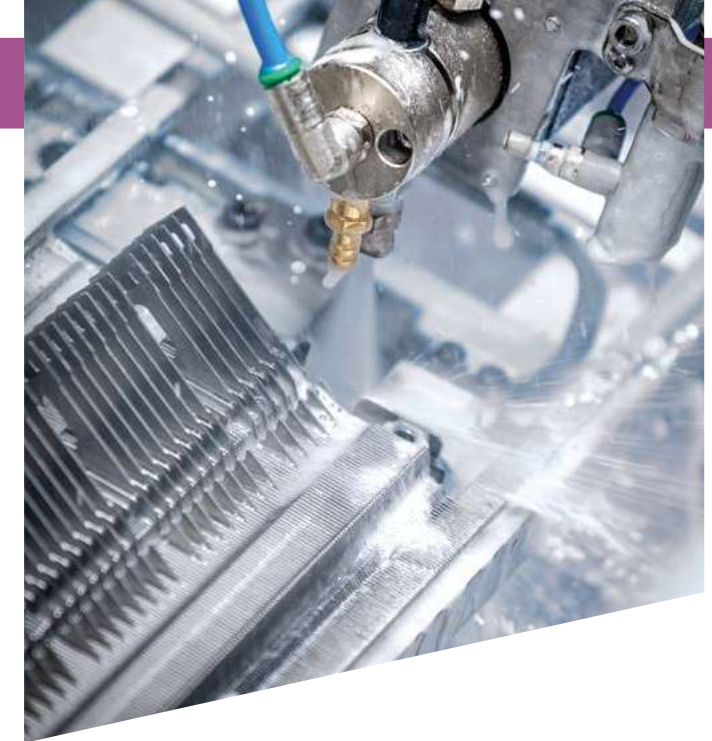
# H<sub>2</sub>G 4.0



When you ask for the best, **H<sub>2</sub>G** answers. Challenge is bread and butter for **H<sub>2</sub>G 4.0** that makes the impossible possible.



**H<sub>2</sub>G 4.0**: this is the machine for those who look for the greatest flexibility and best **control** on the **possibility** of washing: you will be able to name and save up to 100 cleaning recipes, and to create a specific program for every kind of model/gauge.



Our **H<sub>2</sub>G 4.0** offers **washing programs realized in cooperation with SHIMA SEIKI MFG. LTD**, creating ad hoc solutions for **WholeGarment® MACH2 X/XS** and gloves **MINI SWG** machines.

# H<sub>2</sub>G 3.0

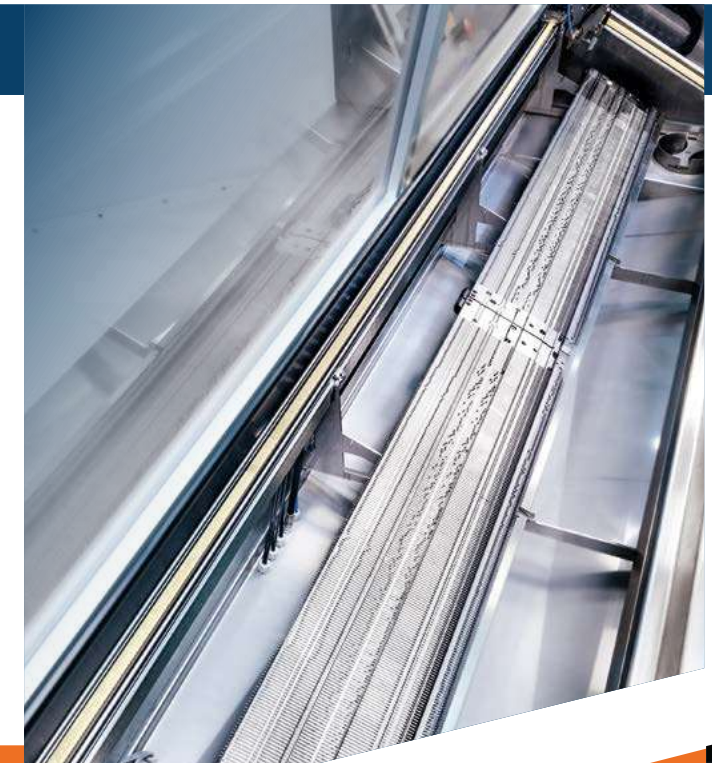


**H<sub>2</sub>G 3.0**: the machine your knitwear factory can't do without!

The **accuracy of the angle of the nozzle** is electronically controlled by the software to ensure the best washing results in total safety.



**Intuitive icons** in a 7" full touch screen let you choose among **light, medium or heavy** washing, but **H<sub>2</sub>G 3.0** will be the one who recognizes the kind of needlebed to be washed, adapting the process of washing with the best settings.



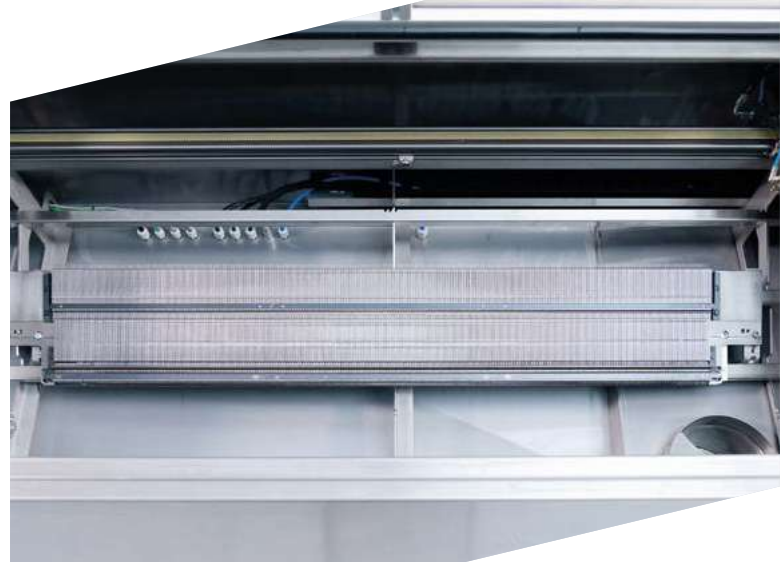
**300 cm** combined with the intuitive software allow the cleaning even of the longest needlebeds, or two compact needlebeds at once.

**One hour is the average time** for a washing.

# H<sub>2</sub>G Junior



Ideal for those companies with little space and a limited number of machines, **H<sub>2</sub>G JUNIOR** offers flawless cleanliness for **all needlebeds up to 168 cm**.



**Space-saving dimensions and high efficiency** make **H<sub>2</sub>G JUNIOR** the must-have ally even for the smallest industrial companies.



### MAKE THE MOST!

Keep the needlebeds clean will increase **productivity** and **efficiency** of your machines.

It is so simple and easy, that you'll always be able to have your knitting machine clean as new.

